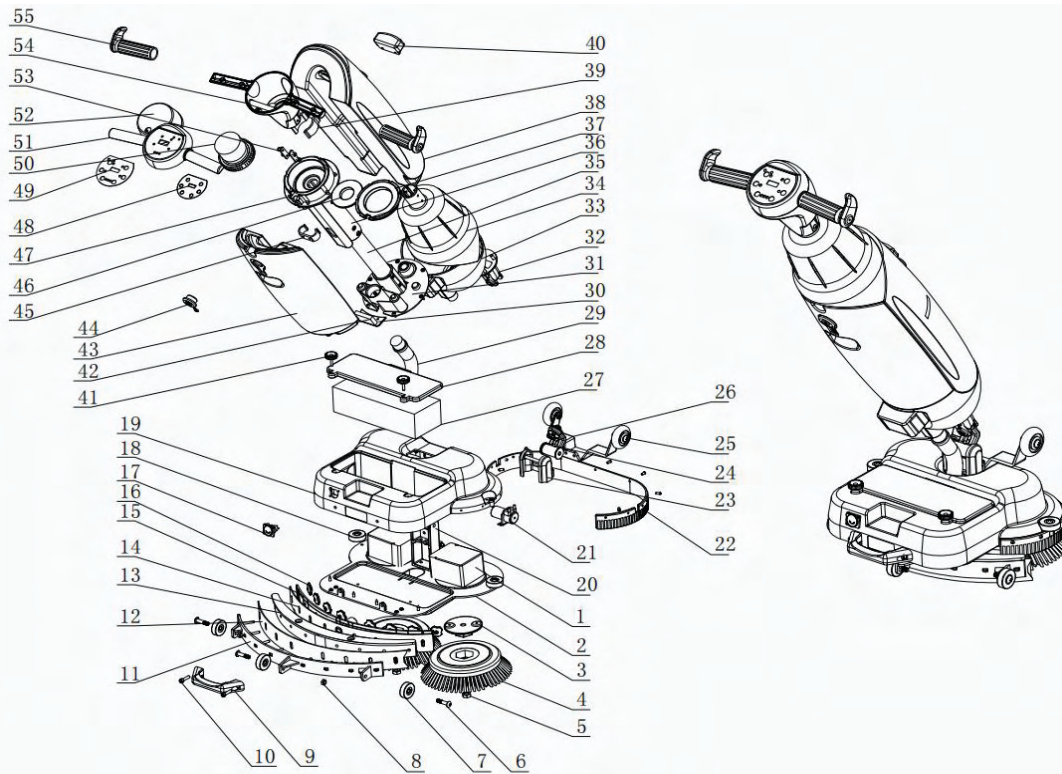




M3 SCRUBBER PARTS LIST



#	PART NAME	PART #	PART QTY
1	BRUSH MOTOR	430V2P1	2
2	BASE PLATE	430V2P2	1
3	BRUSH PLATE FIXING ROTOR	430V2P3	1
4	BRUSH PLATE FIXING ROTOR	430V2P4	1
5	BRUSH	430V2P5	1
6	BRUSH FIXING NUT	430V2P6	1
7	SUCTION RAKE WHEELS	430V2P7	1
8	TRAVELING WHEEL FIXING SCREW	430V2P8	1
9	HANDLE	430V2P9	1
10	LIFTING HANDLE FIXING SCREW	430V2P10	1
11	BACK CRIMP	430V2P11	1
12	REAR RUBBER SQUEEGEE	430V2P12	1
13	SUCTION BODY	430V2P13	1
14	FRONT RUBBER SQUEEGEE	430V2P14	1
15	FRONT CRIMP	430V2P15	1
16	PLUM HAND SCREW NUT	430V2P16	1
17	CHARGING PORT	430V2P17	1
18	ANTI-COLLISION WHEEL	430V2P18	2
19	COVER	430V2P19	1
20	LOWER SWIVEL FIXING BLOCK	430V2P20	1

21	PERISTALTIC PUMP	430V2P21	1
22	SKIRT BRUSH	430V2P22	1
23	SWIVEL SEAT COVER	430V2P23	1
24	MIDDLE SWIVEL SEAT ASSY	430V2P24	2
25	TRAVEL WHEELS	430V2P25	1
26	WHEEL SUPPORT	430V2P26	1
27	LITHIUM BATTERY	430V2P27	1
28	BATTERY CASE COVER	430V2P28	1
29	SUCTION TUBE	430V2P29	1
30	MAGNET COVER	430V2P30	1
31	JOYSTICK FIXINGS	430V2P31	1
32	UPPER SWIVEL BASE	430V2P32	1
33	WATER TANK BRACKETS	430V2P33	1
34	VACUUM MOTOR MOUNT	430V2P34	1
35	LONG JOYSTICK	430V2P35	1
36	WATER TANK FIXING PLASTIC	430V2P36	1
37	SILICONE COVER FOR VACUUM MOTOR	430V2P37	1
38	WASTEWATER TANK	430V2P38	1
39	CISTERN CLIPS	430V2P39	1
40	WASTEWATER TANK PULLER	430V2P40	1
41	SMALL KNOB	430V2P41	1
42	MAGNET SHEET	430V2P42	2
43	SOLUTION TANK	430V2P43	1
44	SOLUTION TANK LID	430V2P44	1
45	SOLUTION TANK CLIPS	430V2P45	1
46	VACUUM MOTOR SUCTION FITTINGS	430V2P46	1
47	VACUUM MOTOR FIXING BRACKET	430V2P47	1
48	BCP CONTROL PANEL	430V2P48	1
49	CONTROL PANEL STICKERS	430V2P49	1
50	VACUUM MOTOR	430V2P50	1
51	HANDLE TOP COVER	430V2P51	1
52	VACUUM MOTOR HOUSING	430V2P52	1
53	FIXING NUT PLATE	430V2P53	4
54	HANDLE LOWER SECTION	430V2P54	1
55	HANDLE GRIP	430V2P55	1